

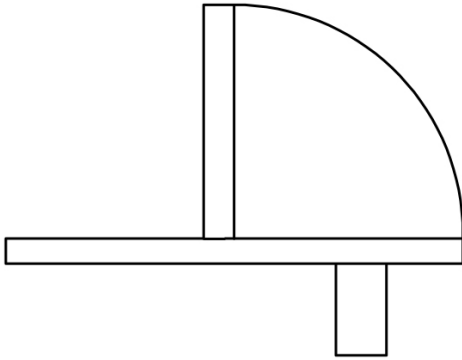
CODE

J1185

DESCRIPTION

Oval Door Stop

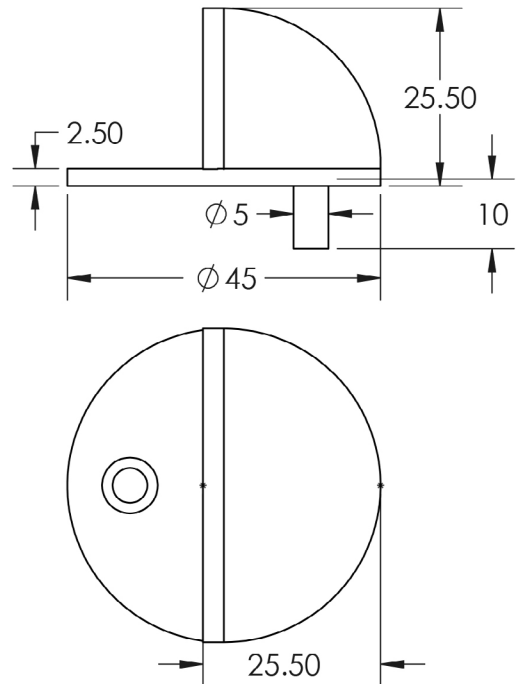
STANDARDS



PRODUCT SPECIFICATION

- Aluminium

TECHNICAL DRAWING



FINISHES

-  Satin Anodised Aluminium