

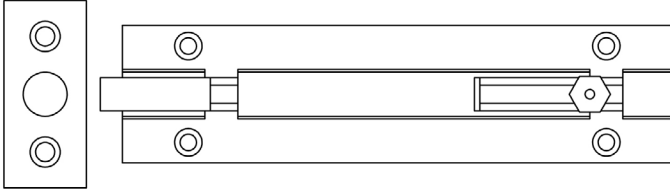
CODE

J1002

DESCRIPTION

Necked Brass Barrel Bolt

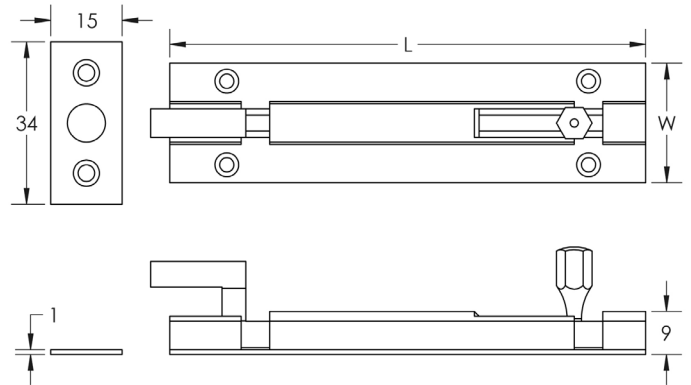
STANDARDS



PRODUCT SPECIFICATION

- Brass

TECHNICAL DRAWING



FINISHES

- Polished Brass
- Polished Chrome
- Satin Chrome

CODE	L	W
J1002BB / J1002CB / J1002DB	50mm	25mm
J1002BC / J1002CC / J1002DC	64mm	25mm
J1002BD / J1002CD / J1002DD	75mm	25mm
J1002BE / J1002CE / J1002DE	100mm	25mm
J1002BF / J1002CF / J1002DF	150mm	25mm
J1002PB-4 / J1002PC-4 / J1002SC-4	100mm	38mm
J1002PB-6 / J1002PC-6 / J1002SC-6	150mm	38mm
J1002PB-8 / J1002PC-8 / J1002SC-8	200mm	38mm