

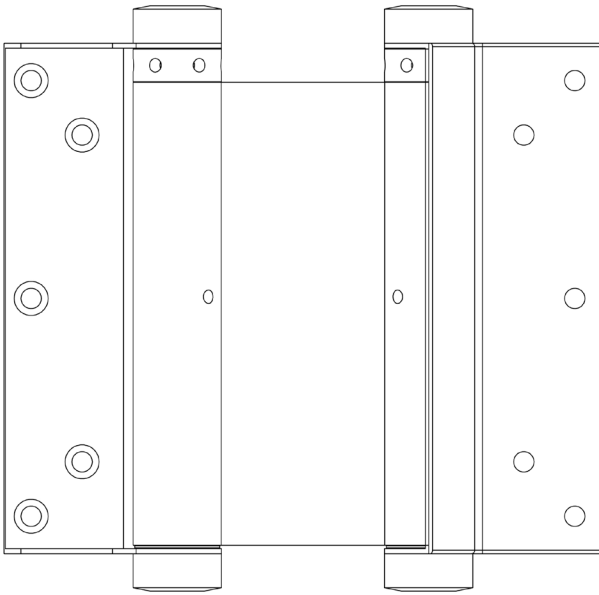
CODE

HB3005-6 / HG3005-6

DESCRIPTION

Double Action Spring Hinge

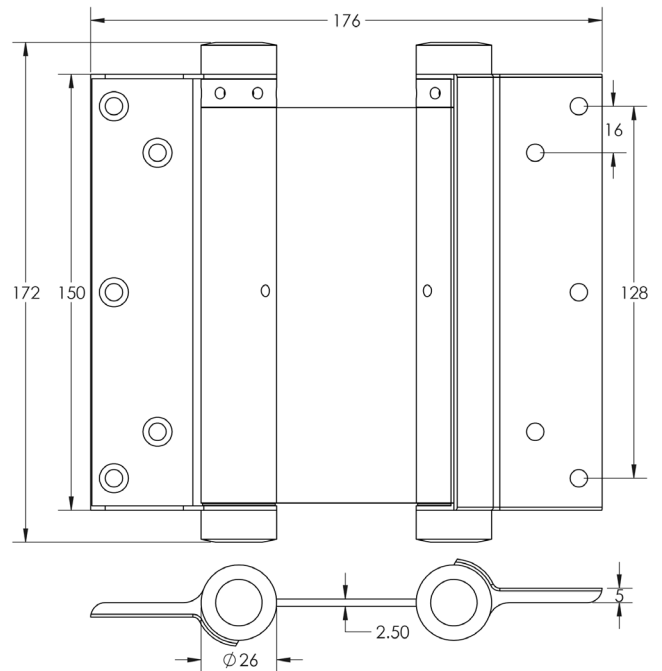
STANDARDS



PRODUCT SPECIFICATION

- Suitable for 40kg doors when using 2 hinges
- Max door thickness 35-40mm
- Max door width 750mm

TECHNICAL DRAWING



FINISHES

- Electro Brassed
- Silver