

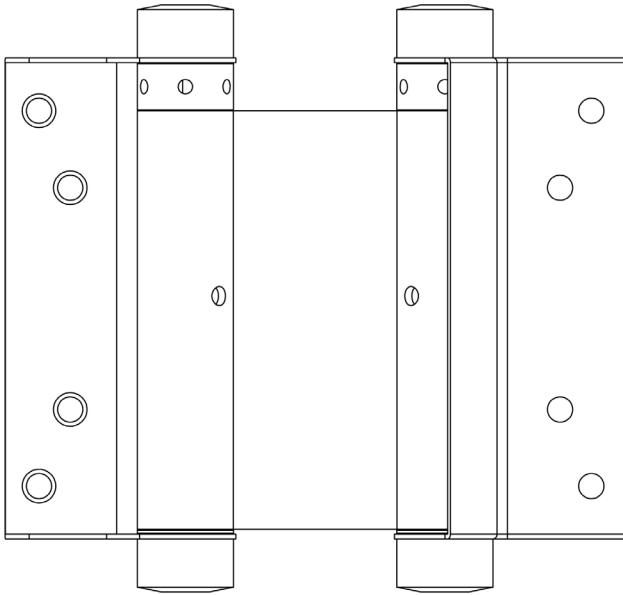
CODE

HB3005-4PB / HG3005-4GY

DESCRIPTION

Double Action Spring Hinge



STANDARDS



PRODUCT SPECIFICATION

- Suitable for 22kg doors when using 2 hinges
- Max door thickness 25-30mm
- Max door width 700mm
- *We strongly recommend requesting a sample before committing to any cutting or drilling*

FINISHES

-  Electro Brassed (HB3005-4PB)
-  Silver (HG3005-4GY)

TECHNICAL DRAWING

