

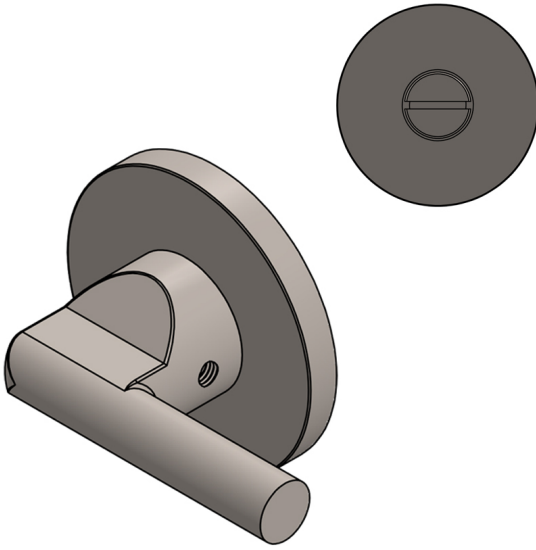
### CODE

CR-804A7

### DESCRIPTION

ROUND TURN & RELEASE - NO INDICATOR

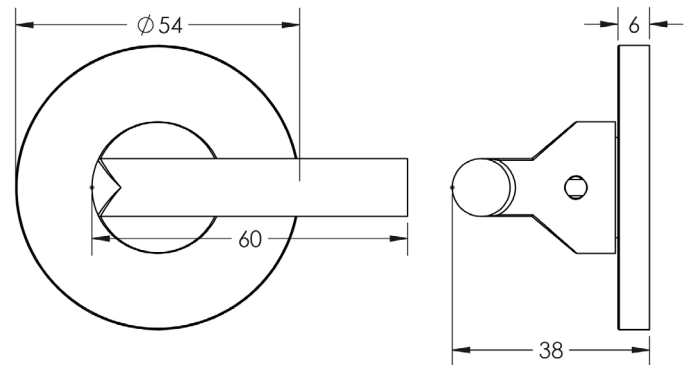
### STANDARDS



### PRODUCT SPECIFICATION

- Grade 316 stainless steel
  - PVD finishes (excluding SSS)
  - Internal or external use
  - Residential or commercial use
  - 44mm max door thickness
  - *Longer spindles available upon request*
  - 25 years mechanical guarantee
  - Grade 4 corrosion
- *We strongly recommend requesting a sample before committing to any cutting or drilling*

### TECHNICAL DRAWING



### FINISHES

	Antique Brass	<b>AB</b>
	Dark Bronze	<b>DB</b>
	Matt Black	<b>MB</b>
	Satin Brass	<b>SB</b>
	Satin Stainless Steel	<b>SSS</b>