

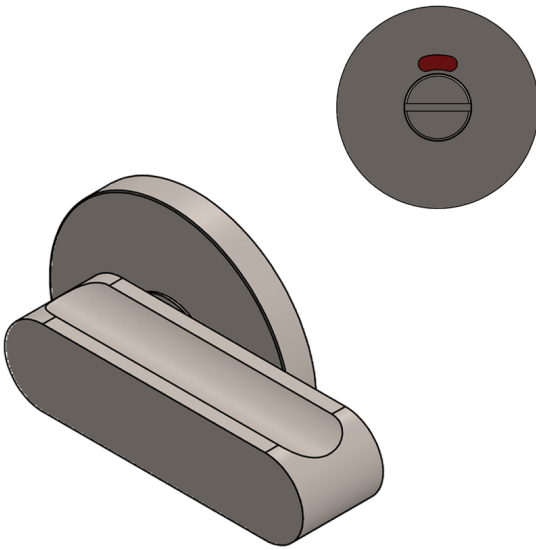
### CODE

CR-803AJ7

### DESCRIPTION

ROUND TURN & RELEASE - INDICATOR

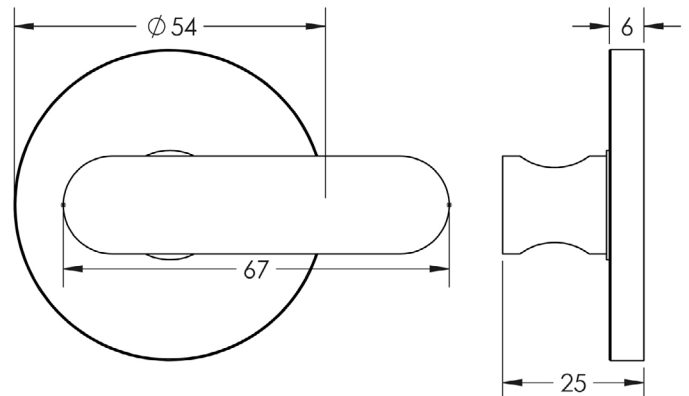
### STANDARDS








### PRODUCT SPECIFICATION

- Grade 316 stainless steel
- PVD finishes (excluding SSS)
- Internal or external use
- Residential or commercial use
- 44mm max door thickness
- *Longer spindles available upon request*
- 25 years mechanical guarantee
- Grade 4 corrosion
  
- *We strongly recommend requesting a sample before committing to any cutting or drilling*

### TECHNICAL DRAWING



### FINISHES

	Antique Brass	<b>AB</b>
	Dark Bronze	<b>DB</b>
	Matt Black	<b>MB</b>
	Satin Brass	<b>SB</b>
	Satin Stainless Steel	<b>SSS</b>