

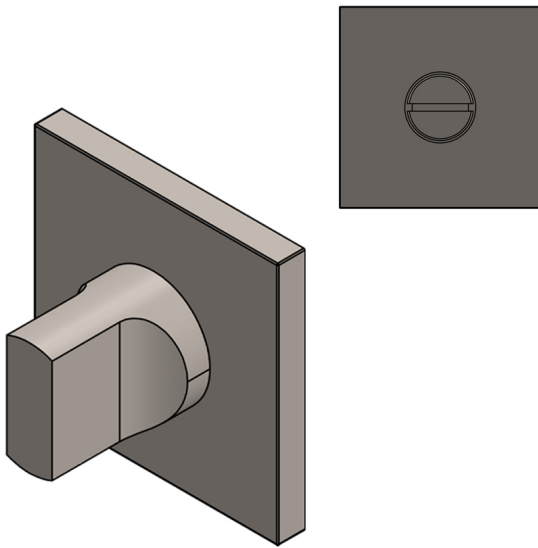
CODE

CR-802B7

DESCRIPTION

SQUARE TURN & RELEASE - NO INDICATOR

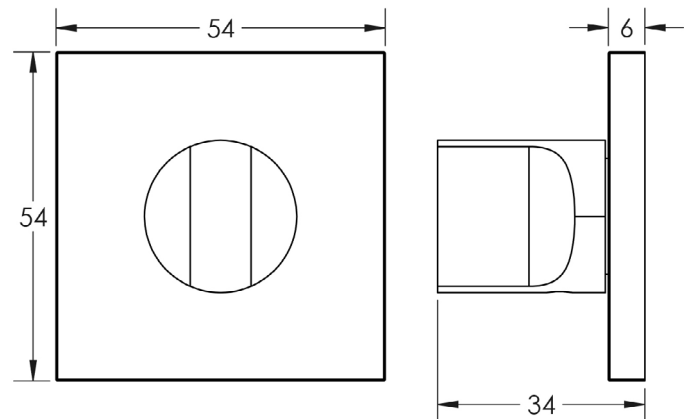
STANDARDS



PRODUCT SPECIFICATION

- Grade 316 stainless steel
 - PVD finishes (excluding SSS)
 - Internal or external use
 - Residential or commercial use
 - 44mm max door thickness
 - *Longer spindles available upon request*
 - 25 years mechanical guarantee
 - Grade 4 corrosion
- *We strongly recommend requesting a sample before committing to any cutting or drilling*

TECHNICAL DRAWING



FINISHES

| | | |
|--|-----------------------|------------|
| | Antique Brass | AB |
| | Dark Bronze | DB |
| | Matt Black | MB |
| | Satin Brass | SB |
| | Satin Stainless Steel | SSS |