

CODE

CR-101A1

DESCRIPTION

LEVER ON ROUND ROSE - SPRUNG

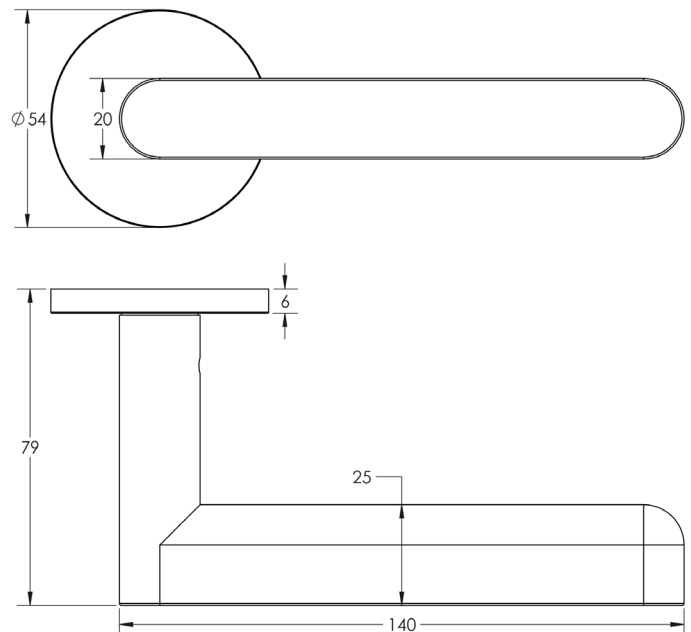
STANDARDS



PRODUCT SPECIFICATION

- Grade 316 stainless steel
 - 38mm centres
 - PVD finishes (excluding SSS)
 - Internal or external use
 - Residential or commercial use
 - 25 years mechanical guarantee
 - Fire report evidence: 421627
 - Grade 4 corrosion
 - Security grub screw and allen key
 - Split spindle included - 8 x 110mm
 - Suitable for 44-54mm door thickness
- We strongly recommend requesting a sample before committing to any cutting or drilling*

TECHNICAL DRAWING



FINISHES

	Antique Brass	AB
	Dark Bronze	DB
	Matt Black	MB
	Satin Brass	SB
	Satin Stainless Steel	SSS