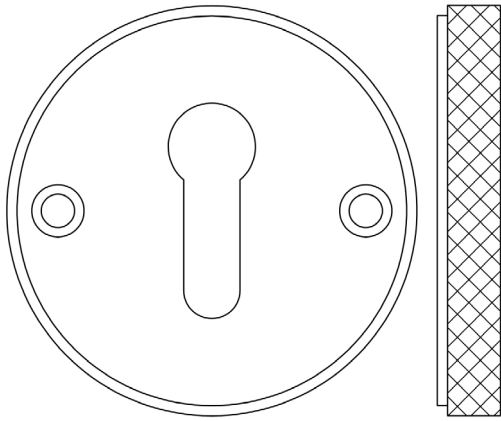


BURLINGTON RANGE



TECHNICAL SPECIFICATION

CODE

BUR182

DESCRIPTION

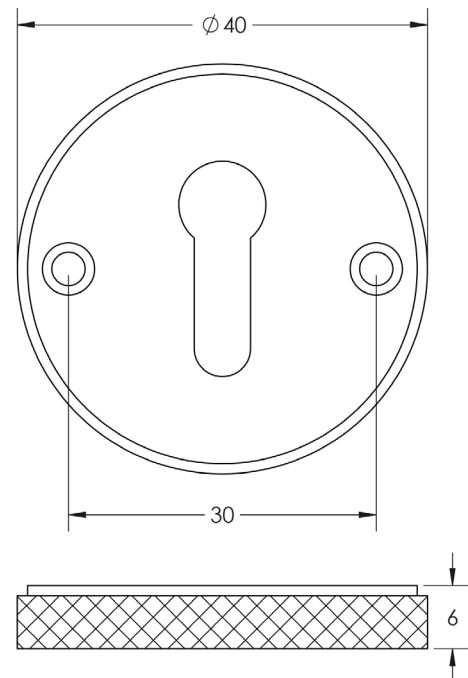
Standard Escutcheon - Knurled

STANDARDS

PRODUCT SPECIFICATION

- Matt lacquered solid brass

TECHNICAL DRAWING



FINISHES

- Antique Brass
- Dark Bronze
- Polished Nickel
- Satin Brass
- Satin Nickel