

Technical Specification Sheet

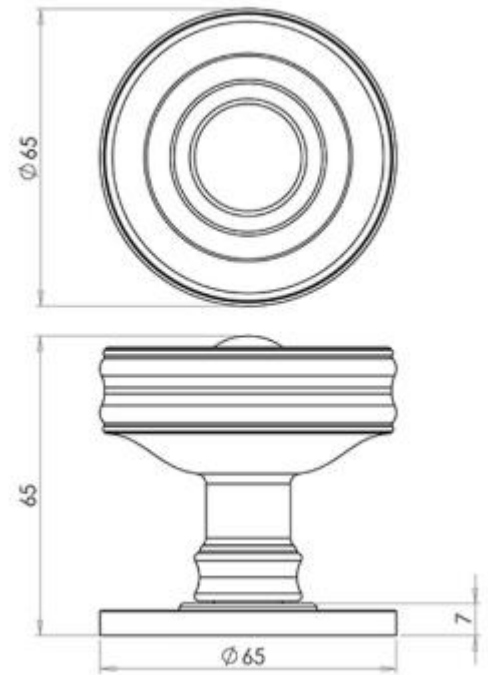


Code BUR101

Finishes AB/DB/PN/SB/SN

Product specification

- Solid brass
- BS EN 1634-1 FD30/60
- **Fire Assessment Report Evidence: WF 421627**
- **Grade 4 240hrs salt spray test : WIL 423616**
- 38mm Centre Fixing
- Suit doors up to 54mm
- Unsprung



For more information please contact us today:

Call: 020 8648 1500

Fax: 020 8648 1626

Email: sales@frelan.co.uk

Web: www.frelan.co.uk

**Frelan Hardware Ltd, Unit 10 Mitcham Industrial Estate
Streatham Road, Mitcham, Surrey CR4 2AP**