

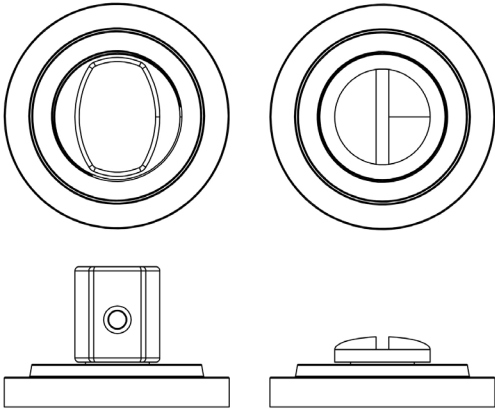
CODE

BUR-81SN-52SN

DESCRIPTION

Turn & Release

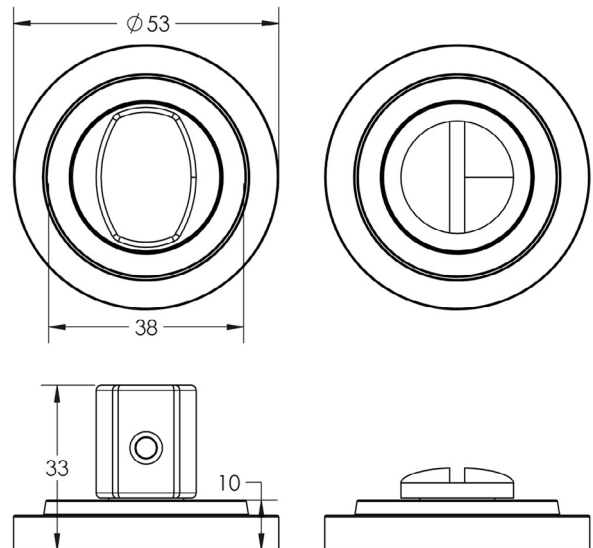
STANDARDS



PRODUCT SPECIFICATION

- 38mm centres
- Stepped rose
- Matt lacquered solid brass

TECHNICAL DRAWING



FINISHES

- Satin Nickel

