

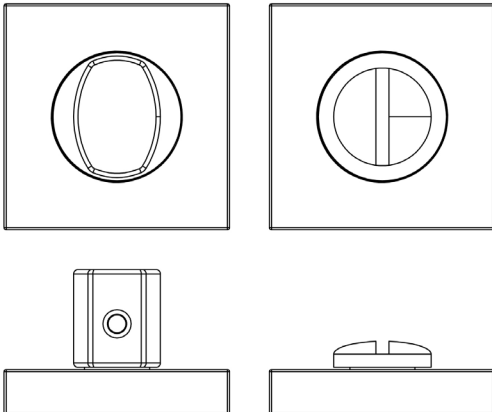
CODE

BUR-81SB-150SB

DESCRIPTION

Turn & Release

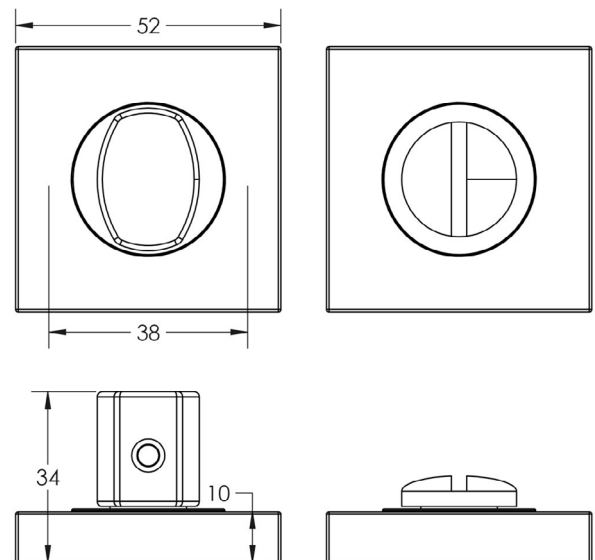
STANDARDS



PRODUCT SPECIFICATION

- 38mm centres
- Square plain rose
- Matt lacquered solid brass

TECHNICAL DRAWING



FINISHES

- Satin Brass

