

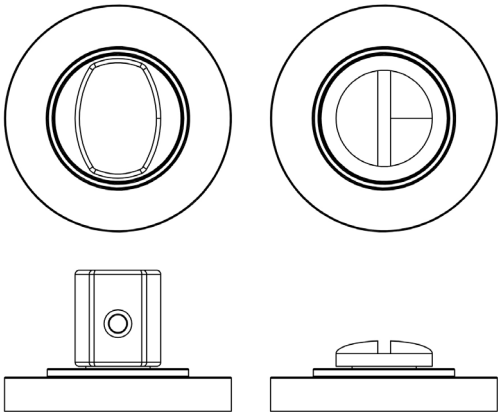
CODE

BUR-81MB-50MB

DESCRIPTION

Turn & Release

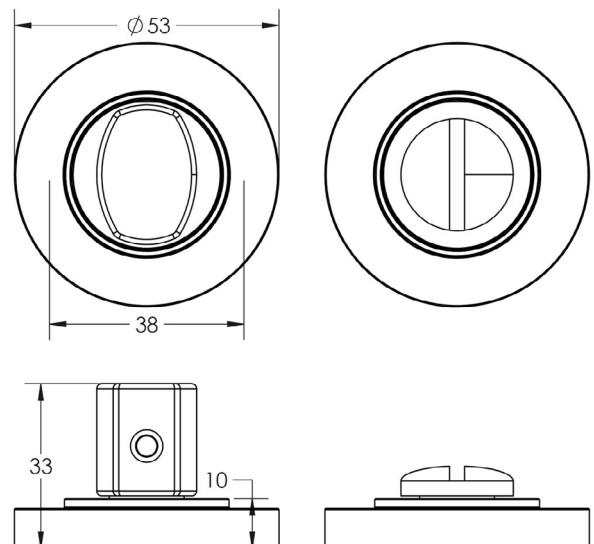
STANDARDS



PRODUCT SPECIFICATION

- 38mm centres
- Plain rose
- Matt lacquered solid brass

TECHNICAL DRAWING



FINISHES

- Matt Black

