

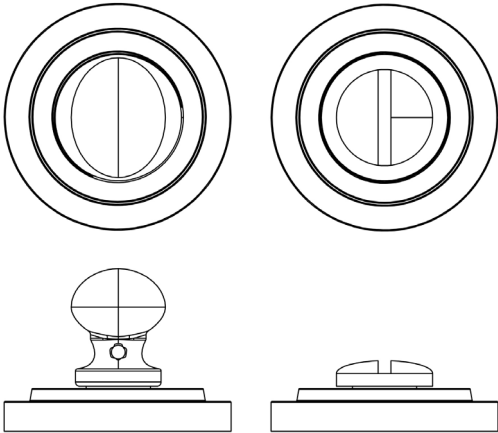
CODE

**BUR-80SN-52SN**

DESCRIPTION

**Turn & Release**

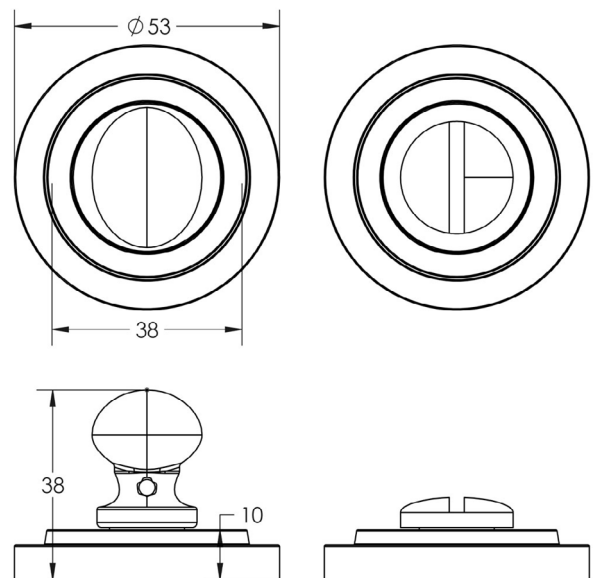
STANDARDS



PRODUCT SPECIFICATION

- 38mm centres
- Stepped rose
- Matt lacquered solid brass

TECHNICAL DRAWING



FINISHES

- Satin Nickel

