

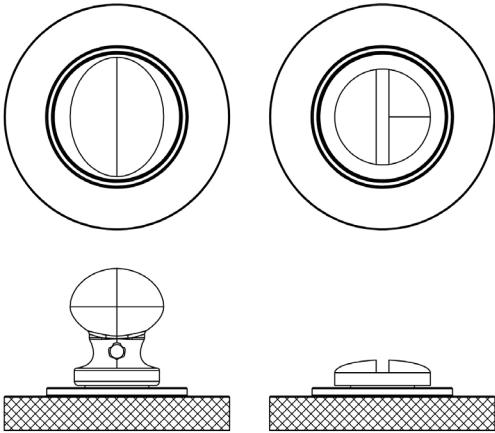
CODE

BUR-80SB-55SB

DESCRIPTION

Turn & Release

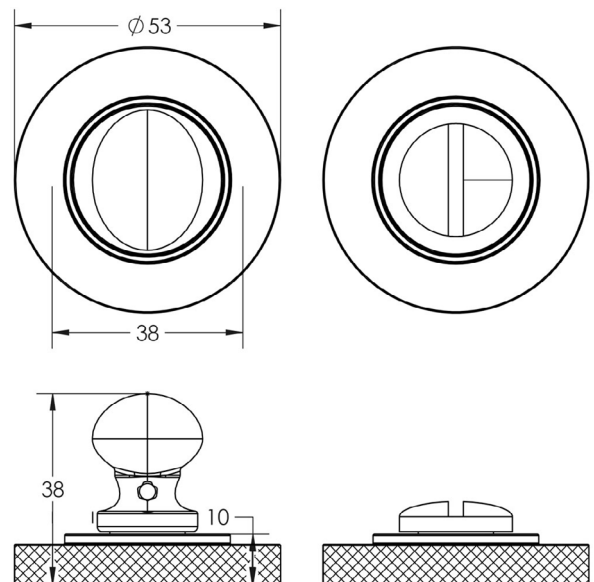
STANDARDS



PRODUCT SPECIFICATION

- 38mm centres
- Knurled rose
- Matt lacquered solid brass

TECHNICAL DRAWING



FINISHES

- Satin Brass

