

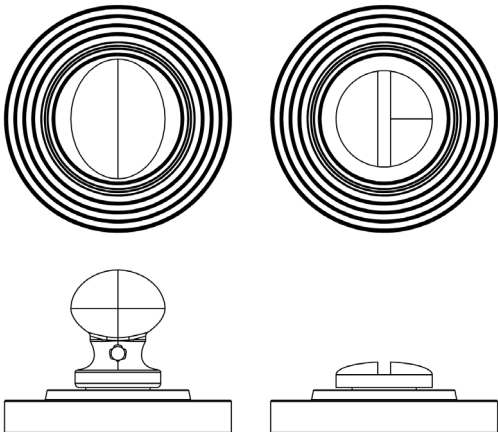
CODE

**BUR-80SB-53SB**

DESCRIPTION

**Turn & Release**

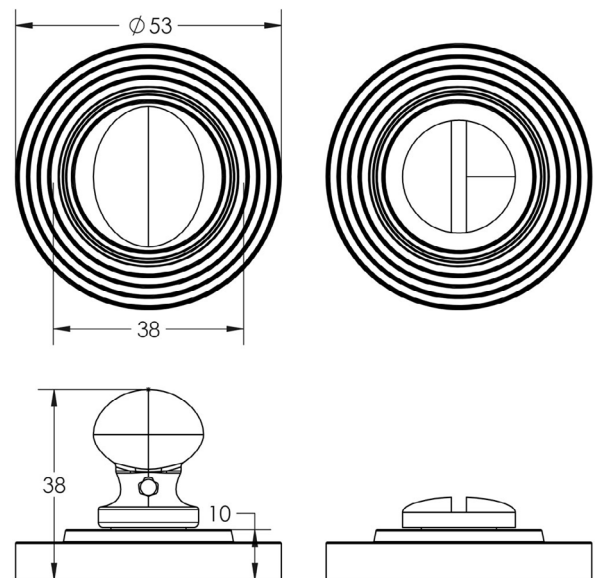
STANDARDS



PRODUCT SPECIFICATION

- 38mm centres
- Stepped rose
- Matt lacquered solid brass

TECHNICAL DRAWING



FINISHES

- Satin Brass

