

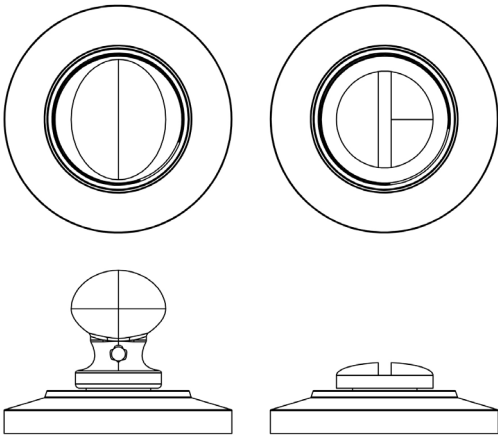
CODE

BUR-80SB-51SB

DESCRIPTION

Turn & Release

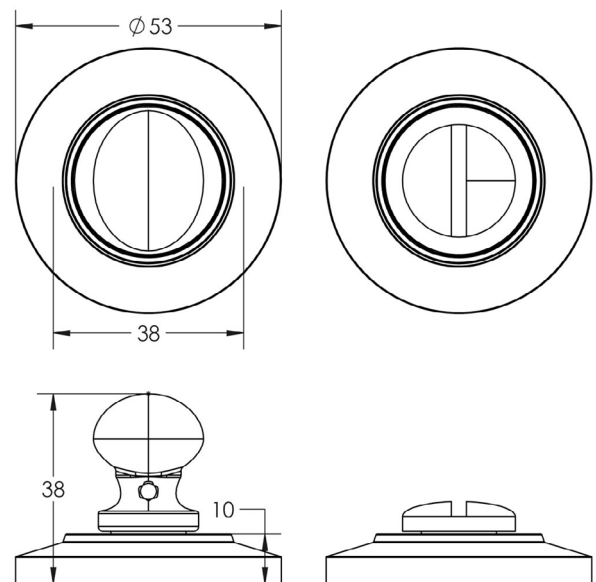
STANDARDS



PRODUCT SPECIFICATION

- 38mm centres
- Chamfered rose
- Matt lacquered solid brass

TECHNICAL DRAWING



FINISHES

- Satin Brass

