

CODE

**BUR-80SB-150SB**

DESCRIPTION

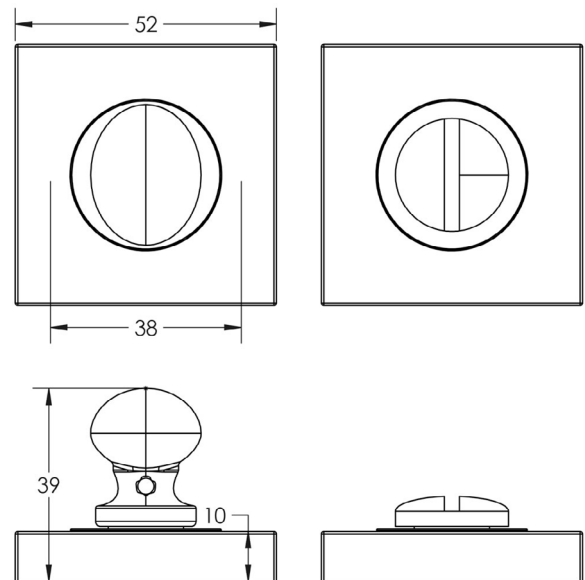
**Turn & Release**

STANDARDS

PRODUCT SPECIFICATION

- 38mm centres
- Square plain rose
- Matt lacquered solid brass

TECHNICAL DRAWING



FINISHES

- Satin Brass

