

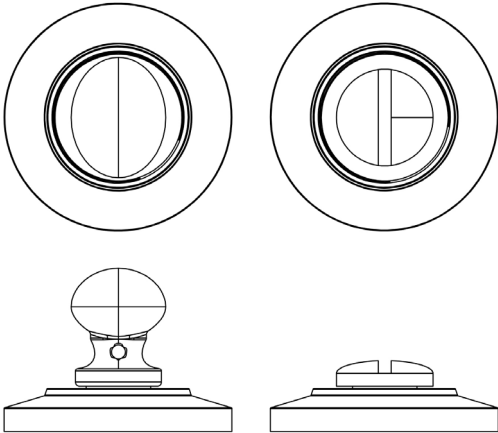
CODE

BUR-80PN-51PN

DESCRIPTION

Turn & Release

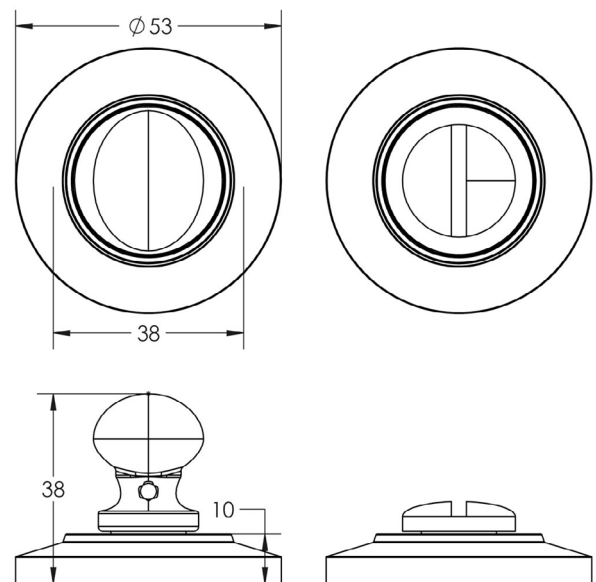
STANDARDS



PRODUCT SPECIFICATION

- 38mm centres
- Chamfered rose
- Matt lacquered solid brass

TECHNICAL DRAWING



FINISHES

- Polished Nickel

