

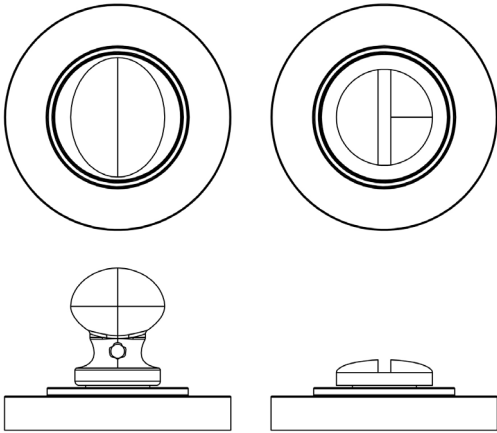
CODE

**BUR-80PN-50PN**

DESCRIPTION

**Turn & Release**

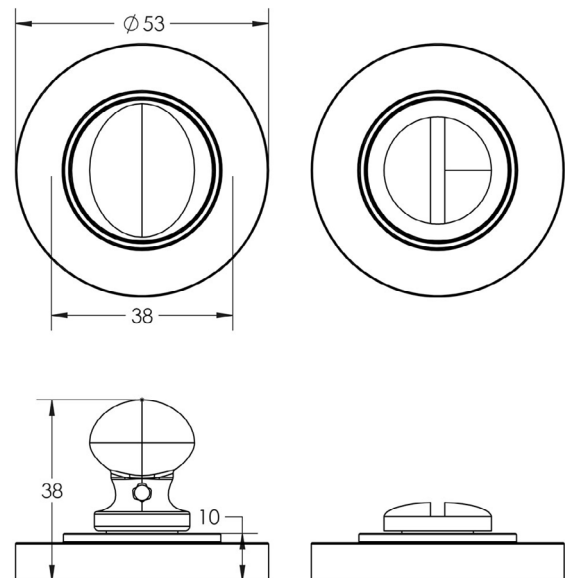
STANDARDS



PRODUCT SPECIFICATION

- 38mm centres
- Plain rose
- Matt lacquered solid brass

TECHNICAL DRAWING



FINISHES

- Polished Nickel

