

CODE

BUR-80PN-150PN

DESCRIPTION

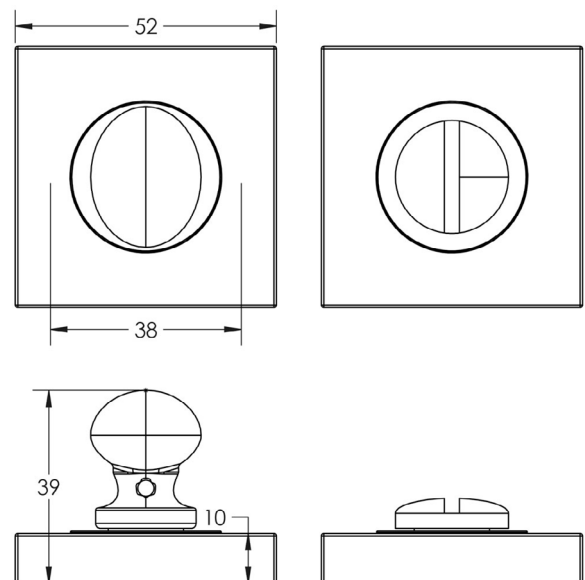
Turn & Release

STANDARDS

PRODUCT SPECIFICATION

- 38mm centres
- Square plain rose
- Matt lacquered solid brass

TECHNICAL DRAWING



FINISHES

- Polished Nickel

