

CODE

BUR-80DB-150DB

DESCRIPTION

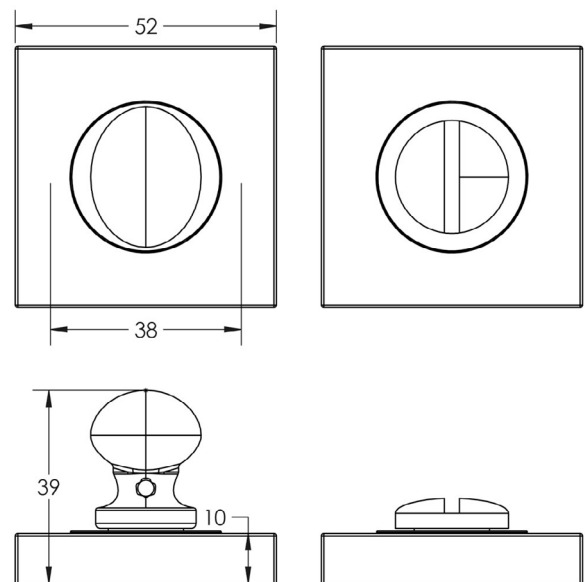
Turn & Release

STANDARDS

PRODUCT SPECIFICATION

- 38mm centres
- Square plain rose
- Matt lacquered solid brass

TECHNICAL DRAWING



FINISHES

- Dark Bronze

