

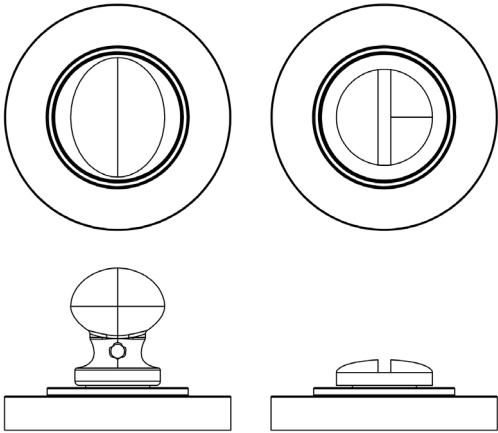
CODE

BUR-80AB-50AB

DESCRIPTION

Turn & Release

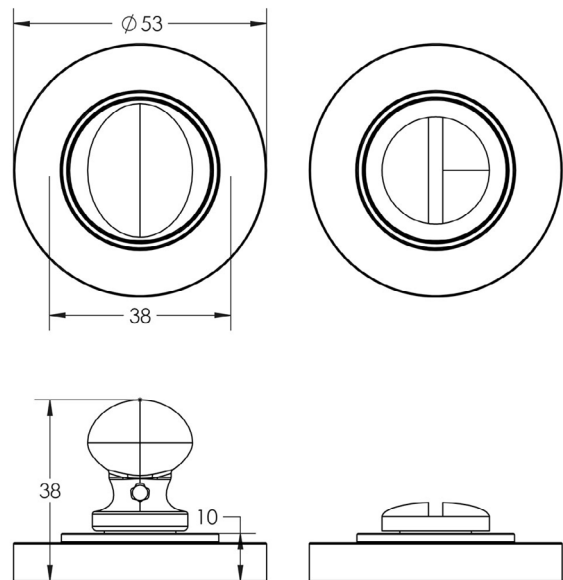
STANDARDS



PRODUCT SPECIFICATION

- 38mm centres
- Plain rose
- Matt lacquered solid brass

TECHNICAL DRAWING



FINISHES

- Antique Brass

