

CODE

BUR-80AB-150AB

DESCRIPTION

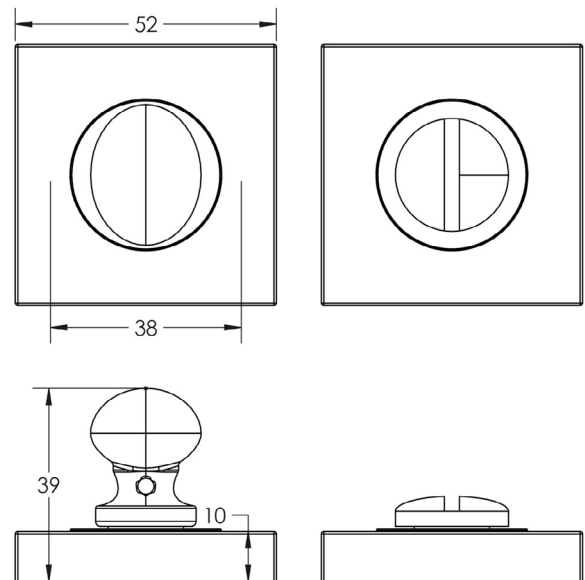
Turn & Release

STANDARDS

PRODUCT SPECIFICATION

- 38mm centres
- Square plain rose
- Matt lacquered solid brass

TECHNICAL DRAWING



FINISHES

- Antique Brass

