

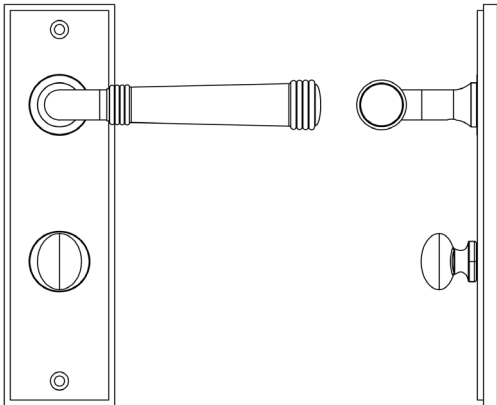
CODE

BUR-35SN-456SN-80SN

DESCRIPTION

Lever On Plate With Turn & Release

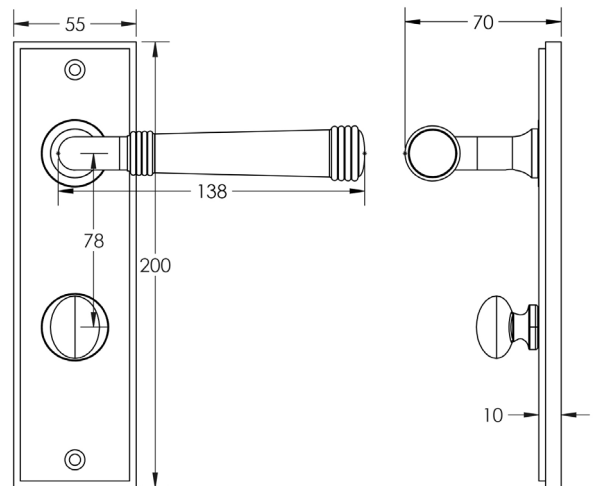
STANDARDS



PRODUCT SPECIFICATION

- 38mm centres
- Sprung
- Grade 4 corrosion
- Matt lacquered solid brass
- Back to back fixing recommended
- Suitable for doors 35-55mm
- *We strongly recommend requesting a sample before committing to any cutting or drilling*

TECHNICAL DRAWING



FINISHES

- Satin Nickel

